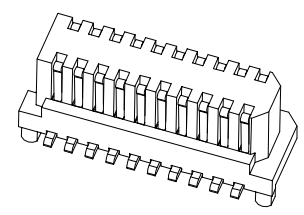
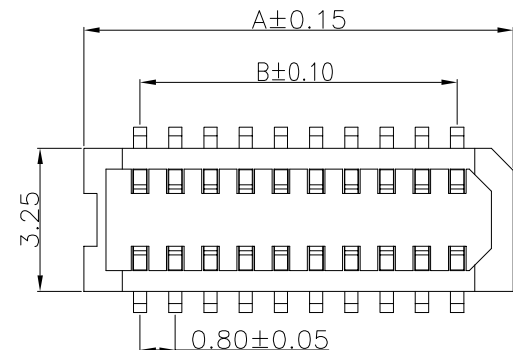


The product using material and processing must conform to the "WI-PZ-001"HSF technical standard control requirements

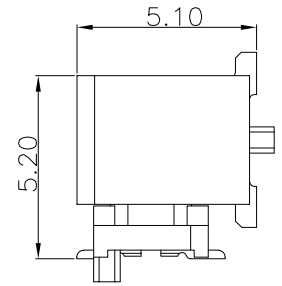
RoHS+HF

NOTE:
 1.MATERIAL SPECIFICATION:
 1-1.HOUSING: LCP
 1-2.CONTACTS: PHOSPHOR BRONZE
 2.PLATING SPECIFICATION:
 2-1.CONTACTS:
 GOLD FLASH PLATED OVER ALL.
 3.MECHANICAL PERFORMANCE:
 3-1.RETENTIVITY FORCE: 0.03kgf/Pin Min
 3-2.DURABILITY: 30 CYCLES.
 4.ELECTRICAL PERFORMANCE:
 4-1.CURRENT RATING: 0.5A
 4-2.VOLTAGE RATING: 60V MAX
 4-3.CONTACT RESISTANCE: 60mΩ Max.
 4-4.INSULATION RESISTANCE: 800MΩ MIN
 4-5.WITHSTANDING VOLTAGE:500V ACMin
 5.ENVIRONMENTAL PERFORMANCE:
 OPERATING TEMPERATURE: -25°C~+85°C.
 6.PACKAGE SPEC:REEL
 7.P/N ORDER:

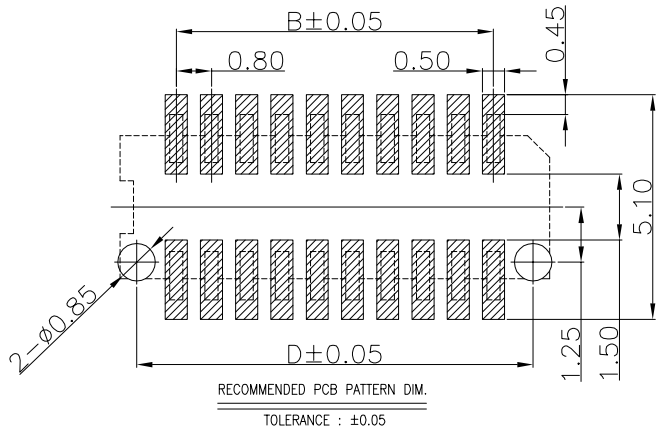
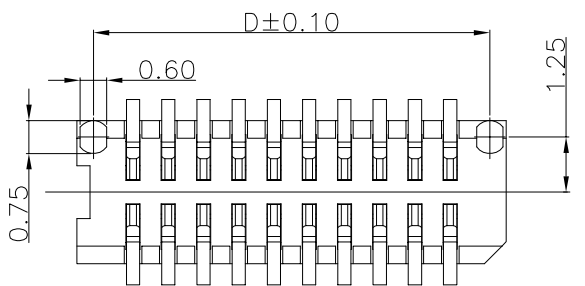
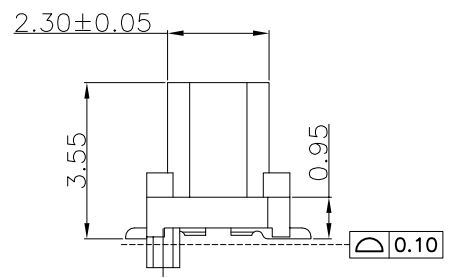
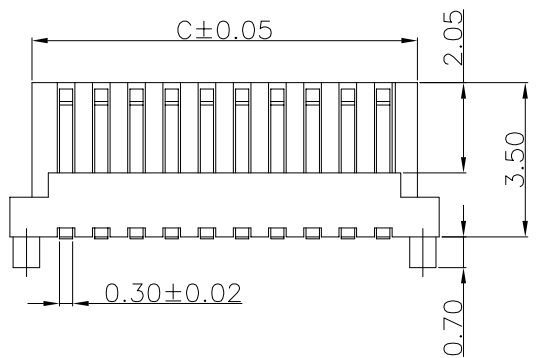
B0804 35 M 0-2 XX 2 X X 01
 SERIES NO:
 HEIGHT:
 35: 3.5mm
 MALE FEMALE:
 M-MALE
 ANGLE:
 0-180°
 ROW NO:
 2-DOUBLE ROW
 COLOR:
 M-BEIGE
 K-WHITE
 S-NATURE
 PLATING:
 A-ALL AU G/F
 1-G/F
 C-BRIGHE TIN
 TERMIPOINT:
 2-SMT
 PIN Q'PY:
 04~52



3D VIEW



MATING HEIGHT
SCALE:1.25:1



RECOMMENDED PCB PATTERN DIM.
TOLERANCE : ±0.05

| Circuit | Dimensions | | | |
|---------|------------|-------|-------|-------|
| | A. | B. | C. | D. |
| 4 | 3.35 | 0.80 | 2.35 | 2.60 |
| 6 | 4.15 | 1.60 | 3.15 | 3.40 |
| 8 | 4.95 | 2.40 | 3.95 | 4.20 |
| 10 | 5.75 | 3.20 | 4.75 | 5.00 |
| 12 | 6.55 | 4.00 | 5.55 | 5.80 |
| 14 | 7.35 | 4.80 | 6.35 | 6.60 |
| 16 | 8.15 | 5.60 | 7.15 | 7.40 |
| 18 | 8.95 | 6.40 | 7.95 | 8.20 |
| 20 | 9.75 | 7.20 | 8.75 | 9.00 |
| 22 | 10.55 | 8.00 | 9.55 | 9.80 |
| 24 | 11.35 | 8.80 | 10.35 | 10.60 |
| 26 | 12.15 | 9.60 | 11.15 | 11.40 |
| 28 | 12.95 | 10.40 | 11.95 | 12.20 |
| 30 | 13.75 | 11.20 | 12.75 | 13.00 |
| 32 | 14.55 | 12.00 | 13.55 | 13.80 |
| 34 | 15.35 | 12.80 | 14.35 | 14.60 |
| 36 | 16.15 | 13.60 | 15.15 | 15.40 |
| 38 | 16.95 | 14.40 | 15.95 | 16.20 |
| 40 | 17.75 | 15.20 | 16.75 | 17.00 |
| 42 | 18.55 | 16.00 | 17.55 | 17.80 |
| 44 | 19.35 | 16.80 | 18.35 | 18.60 |
| 46 | 20.15 | 17.60 | 19.15 | 19.40 |
| 48 | 20.95 | 18.40 | 19.95 | 20.20 |
| 50 | 21.75 | 19.20 | 20.75 | 21.00 |
| 52 | 22.55 | 20.00 | 21.55 | 21.80 |

| | | | | | | | | | | | |
|------|-----------------|----------|----------|--------------------|----------|---------------|-------------|----------|--|-------------------|---------------------------------|
| REV. | REVISION RECORD | DATE | | GENERAL TOLERANCES | | SCALE: 1:1 | NAME | DATE | PART.NO: B080435M0-2XX2XX01 | DWG.NO: ENDE05 | WanLian Teconology Co., Ltd |
| A0 | NEW RELEASE | 21.01.13 | | LINEAR | ANGLES | APPROVED | Wang_jr | 21.08.01 | | | |
| | | | UNIT:mm | 0.00±0.25 | X'±3' | DESIGNER | Han_Gao | 21.08.01 | TITLE: Board to Board 0.80mm 单槽双排侧插带柱 SMT型公座 | REV: A0 | SHEET: 1/2 |
| | | | SIZE: A4 | 0.000±0.10 | X'X' ±2' | DRAWN | Zijun_Huang | 21.08.01 | | | |

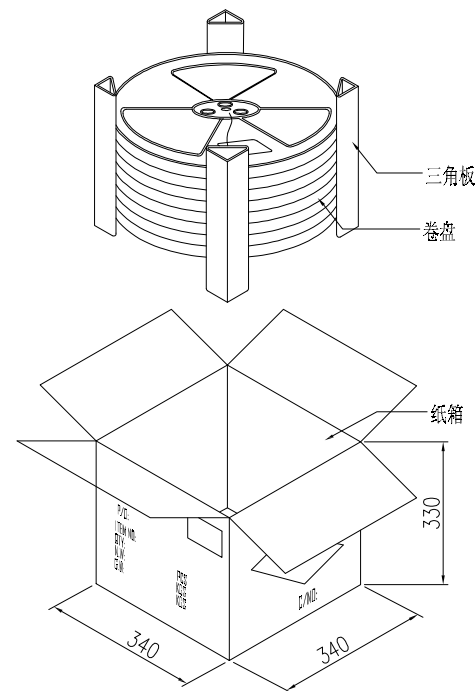
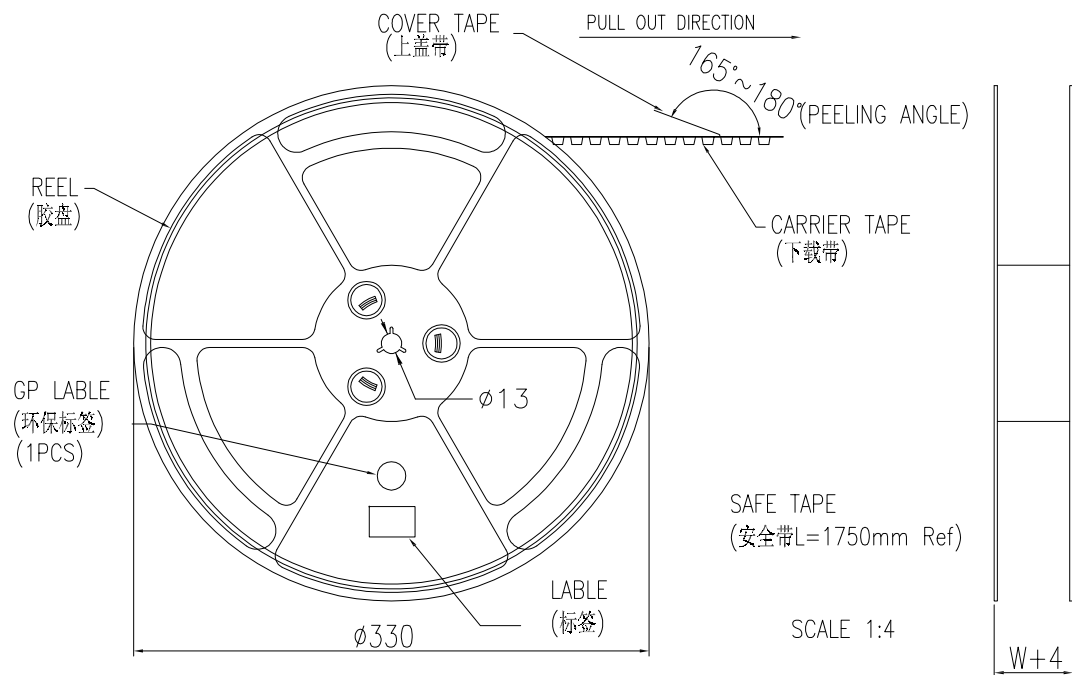
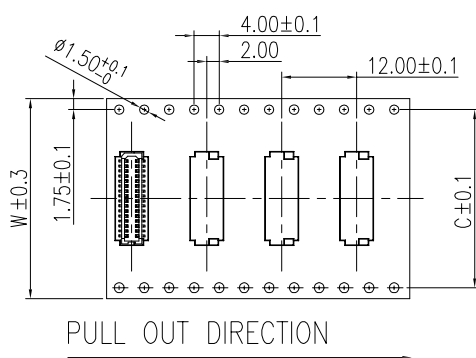
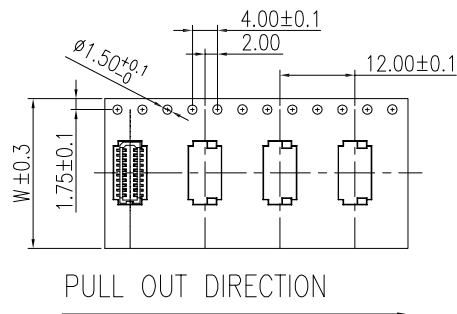
The product using material and processing must conform to the "WI-PZ-001"HSF technical standard control requirements

NOTE:

- 1.10 Sprocket hole pitch cumulative tolerance ± 0.20 .
2. Carrier camber is within 1mm in 100mm.
3. Material: black conductive polystyrene alloy.
4. Material Thickness: 0.3 ± 0.05 mm.
5. All dimensions meet EIA-481-B requirements.
6. 5000pcs Pef Reel.
7. For tape width(dim W)16 and 24mm pilot holes are provided on one sides.
For tape width(dim W)32, 44 and 56mm pilot holes are provided on both sides.

(RoHS+HF) Tape width 16 and 24 mm

Tape width 32 and 44 mm



| Circuit | W | C | PCS /REEL | REEL/CARTON | SUM(PCS) |
|-------------|----|------|-----------|-------------|----------|
| 4PIN~20PIN | 16 | - | 1000 | 12 | 12000 |
| 21PIN~40PIN | 24 | - | 1000 | 10 | 10000 |
| 41Pin~50PIN | 32 | 28.4 | 1000 | 8 | 8000 |
| 51Pin~60PIN | 44 | 40.4 | 1000 | 6 | 6000 |

| REV. | REVISION RECORD | DATE | UNIT:mm | GENERAL TOLERANCES | | SCALE: | NAME | DATE | PART.NO: | DWG.NO: | TITLE: | REV: A0 | SHEET: 2/2 |
|------|-----------------|----------|-----------|--------------------|--------|--------|-------------|----------|----------|---------|--------|---------|------------|
| AO | NEW RELEASE | 21.01.13 | | LINEAR | ANGLES | 1:1 | | | | | | | |
| | | | 0.00±0.25 | X'±3' | | | Han_Gao | 21.08.01 | | | | | |
| | | | 0.00±0.10 | X'X' ±2' | | | Zijun_Huang | 21.08.01 | | | | | |

